

# QUICK REFERENCE

## WATERER MODEL AND VALVE REQUIRED

(For all models manufactured by Hawkeye Steel Products, Inc.)

### WATERER

ALL ENERGY FREE  
MA1; MA3  
MC1, MC3  
MF1, MF3  
MF31, MF32  
MH3  
MJ1, MJ3  
MK1, MK3  
ML1, ML3  
MPM10, MPM10A, MPM20  
M70B2N  
M70B2IN  
S53  
S54  
WA6, WA7  
WBA  
WC, WD, WE, Combination

WC7, WC8, WC9  
WC8-OS, WC9-OS  
WD5, WD6  
WE4, WE5  
WF1, WF2, WF3, WF4  
WF5  
WF6  
WFD85  
WG2  
WHA  
WK1, WK3  
WL3  
WMA1, WMA3  
WMC1, WMC3  
WMJ1, WMJ3  
WMK1, WMK3  
WML1, WML3  
WM2  
WM70B2DPI  
WM70B2DPN  
WNK1  
WO1P  
WR1

WPM10, WPM10A, WPM14, WPM14A, WPM16, WPM20,  
WPM20H, WPM80, WPM120

WS1  
W15A  
80B2DPI  
80B2DPN

### VALVE REQUIRED

VP124  
VP126  
VP126  
VP124 Cattle Trough  
VP127 Hog Trough, VP124 Cattle Trough  
VP124  
VP126  
VP126  
VP124  
VP124  
B78P  
B78P  
VP124  
S50C  
VP124  
VP124 Cattle Trough  
WC733P for all Hog Troughs  
(WC733P consists of VP127, WC714 Clip,  
OP18 Brass Elbow OF66 Locknut, WC725P Float Arm,  
VP115 Thumb Screw  
VP124 Cattle Trough  
VP124  
VP124 Cattle Trough  
VP124 Cattle Trough  
VF3A - OBSL NA  
Valve is OBSL NA  
WC733P  
B78P  
Order VP124 Valve and VP117T Base  
VP124  
VK1A  
VP124  
VP126  
VP126  
VP126  
VP126  
VP124  
VP124  
B78P  
B78P  
WN3  
WO1NPI  
WR18  
(This is a VP124 with a WR19 Clip)  
VP124  
VP124  
VP124  
B78P  
B78P  
B78P

# VP1 VALVE DESCRIPTIONS

For automatic waterer, we offer 5 basic valves, listed at right:  
 Part Nos.:  $\frac{3}{4}$  x  $\frac{1}{4}$  DURAPRIDE® base is VP13;  $\frac{1}{2}$  x  $\frac{1}{4}$  DURAPRIDE® base is VP14;  
 $\frac{1}{2}$  Brass base is VP118 (there is no internal thread on a VP118);  $\frac{3}{4}$  x  $\frac{1}{2}$  Brass base is  
 VP117T (used on WG only);  $\frac{3}{4}$  OD Brass Base (no internal thread) is VP117;  $\frac{5}{32}$  orifice  
 is VP114;  $\frac{1}{4}$  Orifice is VP16;  $\frac{3}{8}$  orifice is VP17. For further explanations, see below.

## Valve No. O.D. I.D. Base Material Orifice

Valve No.	O.D.	I.D.	Base Material	Orifice	Waterer Models/Comments
B78P					80B2DPI, 80B2DPN, WFD85, W15A, M15A, M70B2N, M70B2IN, WM70B2DPI, WM70B2DPN
S50C					S54
VK1A					WK1, WK3, MX3
VP123	$\frac{3}{4}$	$\frac{1}{4}$	DURAPRIDE®	$\frac{5}{32}$	High water pressure applications (70 lbs and up)
VP124	$\frac{3}{4}$	$\frac{1}{4}$	DURAPRIDE®	$\frac{1}{4}$	All energy free -- WPM10, WPM10A, WPM14, WPM14A, WPM16, WPM20, WPM80, WPM120, MPM10, MPM10A, MPM20 -- MH3, ML1, ML3, Cattle trough on WC7, WC8, WC9, WC80S, WC90S, WD5, WD6, WE4, WE5, WMF3, WML1, WML3, MF1, WMF1, S53, WA6, WA7, WBA, WHA, WL3, WM2, WS1. Replaces brass valves V573, V574, V575, V569, V570, A510, A511, VC1, VC3 VA216A
VP125	$\frac{3}{4}$	$\frac{1}{4}$	DURAPRIDE®	$\frac{3}{8}$	Low water pressure applications (30 lbs. and less) or for greater recovery (greater gpm)
VP126	$\frac{1}{2}$		Brass	$\frac{5}{32}$	MA1, MA3, MC1, MC3, MJ1, MJ3, MK1, MK3, WMA1, WMA3, WMC1, WMC3, WMJ1, WMJ3, WMK1, WMK3
VP127	$\frac{1}{2}$	$\frac{1}{4}$	DURAPRIDE®	$\frac{5}{32}$	Hog Trough on all combination waterers -- WE, WD, WC, MF. Replaces brass valves V571, V578, V579, VF2A, VF3A, VJ1A and VJ3A. NOTE: WC733P consists of VP127, WC714 Clip, OP18 brass elbow, OF66 locknut, WC725P Float and VP115 Thumbscrew.
WN3					Nipple used on WNK1, MNK1, WT24, WT24E27.
WO1NP1					WO1P
WR18	$\frac{3}{4}$	$\frac{1}{4}$	DURAPRIDE®	$\frac{1}{4}$	VP124 valve with WR19 valve clip. Used on WR1 waterer.

## VALVE

VP124  
 VP123  
 VP125  
 VP126  
 VP127

High Pressure  
 Low Pressure

## BASE

I.D.  
 $\frac{1}{4}$   
 $\frac{1}{4}$   
 $\frac{1}{4}$   
 $\frac{1}{4}$

Material  
 DURAPRIDE®  
 DURAPRIDE®  
 DURAPRIDE®  
 Brass  
 DURAPRIDE®

Orifice  
 $\frac{1}{4}$  VP16  
 $\frac{5}{32}$  VP114  
 $\frac{3}{8}$  VP17  
 $\frac{5}{32}$  VP114  
 $\frac{5}{32}$  VP114

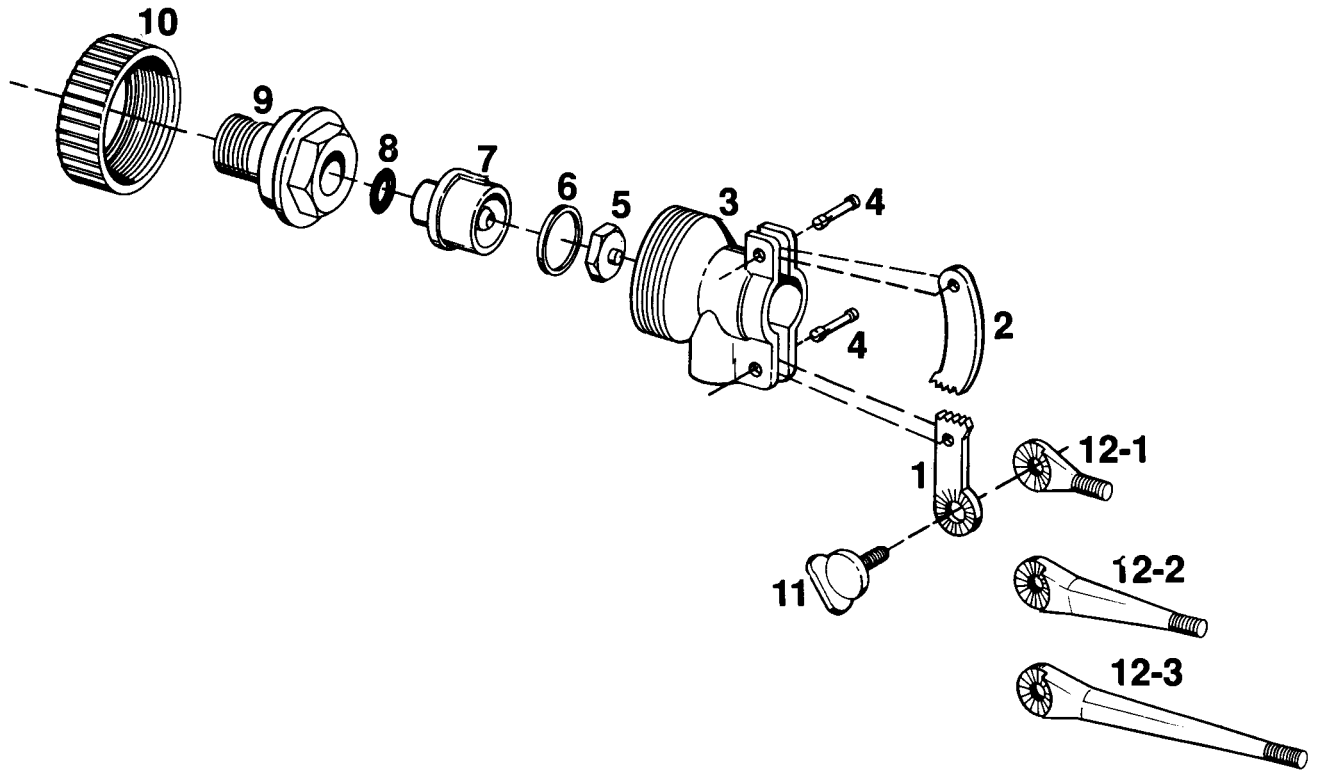
### Discontinued valves and their replacements:

- VP121** -- for WG/MG repair, order VP124 and order VP117T brass base; VP121 had a  $\frac{3}{4}$  x  $\frac{1}{2}$  brass base,  $\frac{1}{4}$  orifice
- VP128** -- order VP127 and order VP17  $\frac{3}{8}$ " orifice; VP128 had a  $\frac{1}{2}$  x  $\frac{1}{4}$  DURAPRIDE® base,  $\frac{3}{8}$  orifice
- VP129** -- order VP127; VP129 had a  $\frac{1}{2}$  x  $\frac{1}{4}$  DURAPRIDE® base,  $\frac{5}{32}$  orifice
- VP136** -- order VP124, order VP17  $\frac{3}{8}$ " orifice and order VP117T brass base; VP136 had a  $\frac{3}{4}$  x  $\frac{1}{2}$  brass base,  $\frac{3}{8}$  orifice
- VP139** -- order VP124, order VP17  $\frac{3}{8}$ " orifice and order VP117T brass base; VP139 had a  $\frac{3}{4}$  x  $\frac{1}{2}$  brass base,  $\frac{3}{8}$  orifice
- VP150** -- order WC733P and remove OP18 brass elbow. VP150 had a  $\frac{1}{2}$  x  $\frac{1}{4}$  DURAPRIDE® base,  $\frac{5}{32}$  orifice

### SOLUTIONS FOR QUESTIONS FREQUENTLY ASKED

Valve continually drips--Check VP18 Plunger. It should be flat across side opposite protrusion. If it is concaved, this may cause valve to drip.  
 Valve continually drips--Check for pin hole in VP113 diaphragm. Hold up to light and stretch. Valve will not shut off--Check that VP112 "O" ring is in the base.  
 Often, the problem is foreign material becoming lodged in the diaphragm or other parts of the valve. Complete flushing of the line may be necessary. If a waterer is installed on a high pressure water system (over 60 pounds), you may compensate for extra pressure by using our small orifice in the valve (i.e. our  $\frac{5}{32}$ " orifice, part no. VP114). For severe high pressure situations, a pressure reducer or a pressure regulator is needed. For low pressure, order our  $\frac{3}{8}$ " orifice (part no. VP17).

# VP1 VALVE PARTS AND FLOAT ARM DESCRIPTIONS



Ref. No.	Part No.	Description	Quantity	Model
1	VP19	Power Link, Plastic	1	
2	VP110	Cam Link, Plastic	1	
3	VP11	Valve Body, Plastic	1	
4	VP111	Link Pin, Plastic	2	
5	VP18	Plunger, Plastic	1	
6	VP113	Diaphragm, Rubber	1	
7	VP114	Orifice, $\frac{5}{32}$ " Dia.	1	WMK32, Combination Troughs
	VP16	Orifice, $\frac{1}{4}$ " Dia.	1	All WPM models, WA7, WM2, WR1 WS1 and on all WE, WD, WC cattle troughs.
	VP17	Orifice, $\frac{3}{8}$ " Dia.	1	Low water pressure, or greater recovery
8	VP112	$\frac{5}{8}$ " O" Ring x .103 Neoprene	1	
9	VP117T	Base, $\frac{3}{4}$ OD x $\frac{1}{2}$ ID Brass		WG Repair
	VP118	Base, $\frac{1}{2}$ OD Brass		WMK32
	VP13	Base, $\frac{3}{4}$ OD x $\frac{1}{4}$ ID, DURAPRIDE®		All WPM models, WA7, WM2, WS1, and on all WE, WD, WC Cattle Troughs
	VP14	Base, $\frac{1}{2}$ OD x $\frac{1}{4}$ ID, DURAPRIDE®		Combination Hog Troughs
10	VP15	Assembly Nut, Plastic	1	
11	VP115*	Adjust Screw, Plastic	1	
12-1	VA225P*	Float Arm, Plastic, $1\frac{1}{8}$ "	1	WMK32, WS1, WL3
12-2	WC725P*	Float Arm, Plastic, $2\frac{1}{2}$ "	1	Combination Hog Troughs, WJ2, WR1
12-3	WC726P*	Float Arm, Plastic, $3\frac{5}{8}$ "	1	WBA, WC, WD, WA7, WE50, WE51/WE52, WHA Cattle Trough, WM2, All energy-free-WPM10, WPM10A, WPM14, WPM14A, WPM16, WPM20, WPM80, WPM120
	VP152	Valve Assembly Tag	1	

\*VP115 adjust screw and the three float arms are not included with any valve. These parts must be ordered separately.

NOTE: Complete electric units are sold as whole goods and are not listed in this price list. Electric unit components are included in this price list.

## COMPONENTS SPECIFIC TO ELECTRIC UNIT MODELS AS LISTED

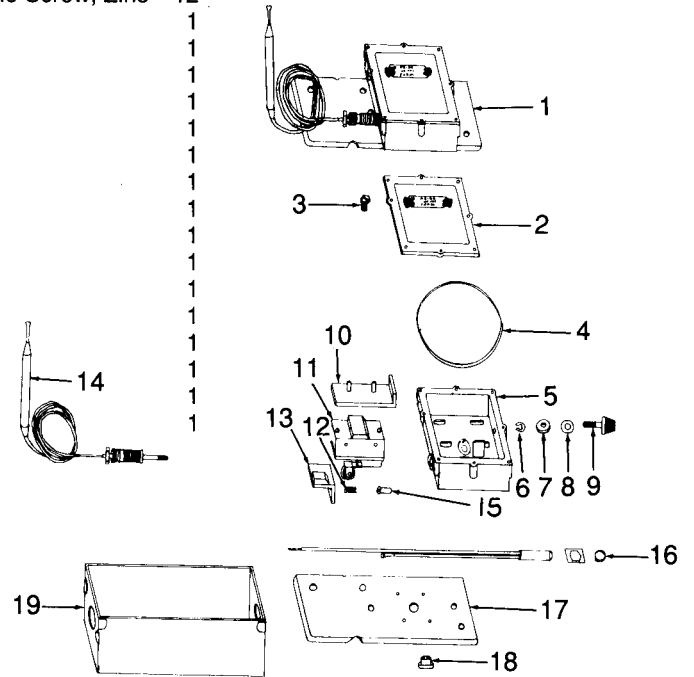
Repair Electric Unit Number	Water Model	Ref. No. of Coil	Coil Part No.	Coil Description	Junction Box Assembly Part No. <sup>1</sup>	Junction Box Bracket Ref. No.	Junction Box Bracket Part No.	Bulb Support Assembly Ref. No.	Bulb Support Bracket Part No. <sup>2</sup>	Bulb Support Bracket Ref. No.	Bulb Support Bracket Part No.
HE101A	WA7	20	HE10142	1-325 Watt Coil, 26" leads	HE1033B	25	HE10170	30	HE8192	35	HE8148
HE1010A	WBA0	21	HE10144	2-600 Watt Coils, 22" leads	HE1037	26	HSS130	31	HE8159	36	HE8289
HE1011A	WBA1	22	HE10224	1-250 Watt Pipewarmer	HE1037	26	HSS130	31	HE8159	36	HE8289
HE1012A	WBA2	23	HE10144	2-600 Watt Coils, 22" leads	HE1037	26	HSS130	31	HE8159	36	HE8289
HE106A	WC8, WC9, WC80S, WC90S	23	HE10140	2-600 Watt Coils, 22" leads	HE1037	26	HSS130	31	HE8159	36	HE8289
HE106A	WD5, WD6	21	HE10144	1-600 Watt Coil, 22" leads	HE1037	26	HSS130	31	HE8159	36	HE8289
HE106A	WE4, WE5	21	HE10144	1-600 Watt Coil, 22" leads	HE1037	26	HSS130	31	HE8159	36	HE8289
HE107A	WE41, WE51	21	HE10144	1-600 Watt Coil, 22" leads	HE1037	26	HSS130	31	HE8159	36	HE8289
HE108A	WE42, WE52	23	HE10140	1-250 Watt Coil, 32" leads	HE1037	26	HSS130	31	HE8159	36	HE8289
HE1010A	WHA0	23	HE10144	1-600 Watt Coil, 22" leads	HE1037	26	HSS130	31	HE8159	36	HE8289
HE103A	WL3	22	HE10224	2-600 Watt Coils, 22" leads	HE1037	26	HSS130	31	HE8159	36	HE8289
HE106A	WM2	20	HE10142	1-325 Watt Coil, 26" leads	HE1034	27	HE10171	32	HE8191	37	HE8178
HE1035A	WMK32	21	HE10144	1-600 Watt Coil, 22" leads	HE1037	26	HSS130	32	HE8191	37	HE8178
HE104A	WR1	24	HE10146	1-250 Watt Coil, 22" lead	ME9144	28	ME9229	33	MC182	38	MC181
HE102A	WS1	20	HE10142	1-325 Watt Coil, 26" leads	HE10148	29	HSS121	34	HE9170	39	HE9169
		24	HE10146	1-250 Watt Coil, 22" leads	HE10148	29	HSS121	34	HE9170	39	HE9169

<sup>1</sup> The junction box assemblies consist of the ME9144 junction box, the junction box bracket as noted above and an ME9235 lug.

<sup>2</sup> The bulb support bracket assemblies consist of the bulb support bracket as noted above, an HE8127 ground clamp (Ref. No. 40), OF324 screw and OF294 nut.

# PARTS WHICH ARE UNIVERSAL FOR ALL ELECTRIC UNITS

Ref. No.	Part No.	Description	Quantity
1	HE10125	Control Assembly	1
2	HE10101	Control Case Cover, Noryl	1
3	HE10103	6-32 x 5/16" Slotted Indented Hex Head Machine Screw, Zinc	12
4	HE10126	3.00 ID x .070 Thick "O" Ring, Rubber	1
5	HE10100	Control Case, Noryl	1
6	VK15	Retaining Ring	1
7	HE8121	.218 OD x .148 ID "O" Ring, Rubber	1
8	HE8118	.251 x 1/2 x .0159 Washer, Brass	1
9	HE10117	Control Shaft Assembly	1
10	HE10105	Switch Slide, Noryl	1
11	HE10104	WM-1 RW82294T 22 Amp MicroSwitch	1
12	HE10114	Locking Spring, SS	1
13	HE10107	Cam, Noryl	1
14	HE8104	Bellows	1
15	OP69	.215 OD Eyelet, Brass	1
16	HE10118	Pilot Light Assembly	1
17	HE10116	Universal Junction Box Cover	1
18	HE10111	Seal	1
19	ME9144	Junction Box	1



# COMPONENTS SPECIFIC TO ELECTRIC UNIT MODELS

(See Page 6)

